



SURFACE LUMINAIRE FOR KITCHENS, PANTRIES, PROVISION STORES AND COLDROOMS

Design	According to rules of maritime classification societies and regulation of USPH
Base plate	Stainless steel
Cover	Clear polycarbonate, impact proof, UV-resistant
Mounting	8 mounting holes, Ø 5.2 mm
Cable entry	2 x M20 PA6 cable glands
Protection class	IP56 / IP67
Weight	5.5 kg
Light source	Linear LP LED modules with anti glare cover
Wattage	Max. 40 W / HO: max. 66 W
CCT (color)	4,000 K
Luminous flux	4,500 lm / HO: 8,100 lm
CRI	≥ 80
Voltage	220–240 V AC
Frequency	50–60 Hz

PART NO.

KL/KR61ZL	5107001020-007
KL/KR61ZL HO	5107001020-015

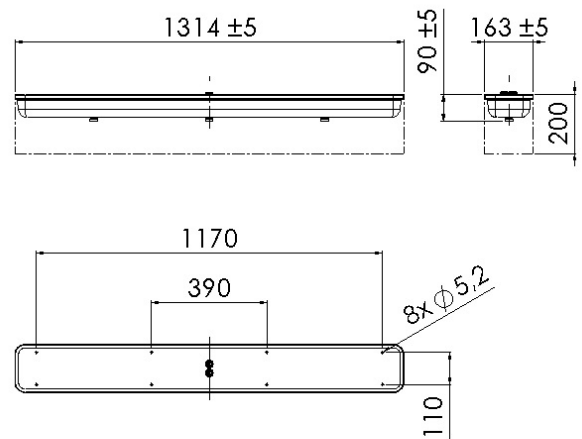
SPARE PARTS

PART NO.

Clear cover KL/KR61ZL	7112020000
Mounting kit for lamp cover (6 pcs)	7508002800
Gasket KL/KR61ZL	7301007700

EXTRAS

- > 120 V AC execution
- > 24 V DC execution
- > LED mounting tray as refit for KL/KR61Z fluorescent types
- > Different color temperatures on request
- > Different cable glands



[mm]

