

SURFACE LUMINAIRE FOR KITCHENS, PANTRIES, PROVISION STORES AND COLDROOMS

<b>Design</b>	According to rules of maritime classification societies and regulation of USPH
<b>Base plate</b>	Stainless steel
<b>Cover</b>	Opal polycarbonate, impact proof, UV-resistant
<b>Mounting</b>	4 mounting holes, $\varnothing$ 5.2 mm
<b>Cable entry</b>	2 x M20 PA6 cable glands
<b>Protection class</b>	IP56 / IP67
<b>Weight</b>	2.5 kg / HO: 2.7 kg
<b>Light source</b>	Linear LP LED modules with anti glare cover
<b>Wattage</b>	Max. 20 W / HO: max. 40 W
<b>CCT (color)</b>	4,000 K
<b>Luminous flux</b>	2,200 lm / HO: 4,500 lm
<b>CRI</b>	$\geq$ 80
<b>Voltage</b>	220–240 V AC
<b>Frequency</b>	50–60 Hz

## PART NO.

KL63	5106001500-001
KL63 HO	5106001600-001

## SPARE PARTS

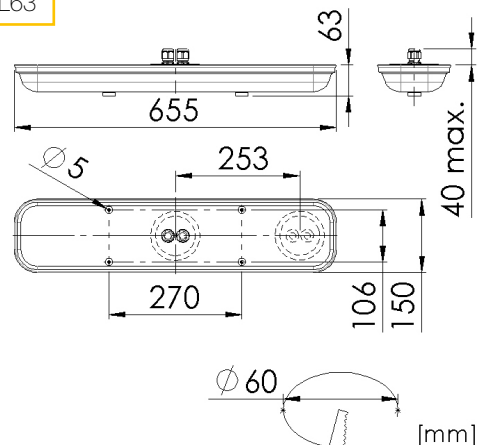
## PART NO.

Opal cover KL63	7112041300
Mounting kit for lamp cover (6 pcs)	7508003100
Gasket KL63	7301009400

## EXTRAS

- > 120 V AC execution
- > 24 V DC execution
- > Different color temperatures on request
- > Different cable glands

KL63



KL63 HO

