



MULTIPURPOSE WATERTIGHT LUMINAIRE FOR ENGINE ROOMS, WORK SHOPS, STORES, PASSAGE WAYS AND OUTDOOR AREAS

PART NO.

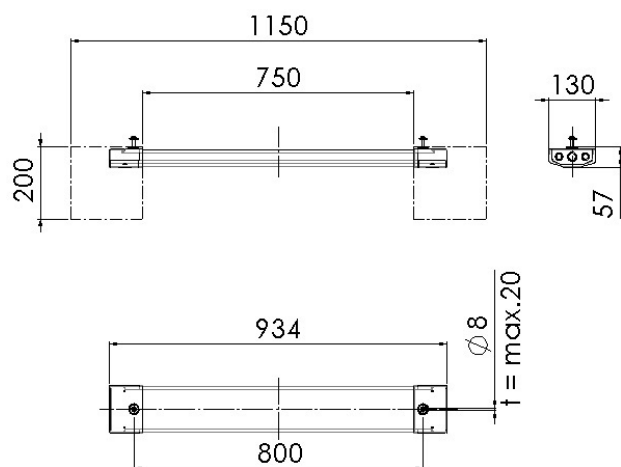
TL Vario L

5145000600-xxx

EXTRAS

- > Battery backup unit
- > Customized mounting brackets
- > Shock proof execution
- > Additional red or green light
- > Through wiring
- > Different cable glands
- > Different supply voltages

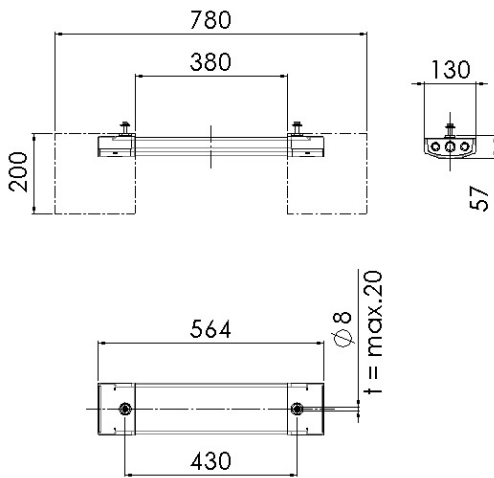
Design	According to rules of maritime classification societies and relevant standards
Housing/cover	Opal polycarbonate, impact-proof, UV-resistant
Mounting	Different systems available, see next page
Cable entry	Max. 4 cable glands M20, max. 2 cable glands M25
Protection class	IP66/67
Weight	2.8 kg
Light source	Linear LP LED modules
Wattage	Max. 40 W
CCT (color)	4,000 K or 3,000 K
Luminous flux	4,500 lm
CRI	≥ 80
Voltage	220–240 V AC
Frequency	50–60 Hz



[mm]



Type: Bolt kit 8 mm

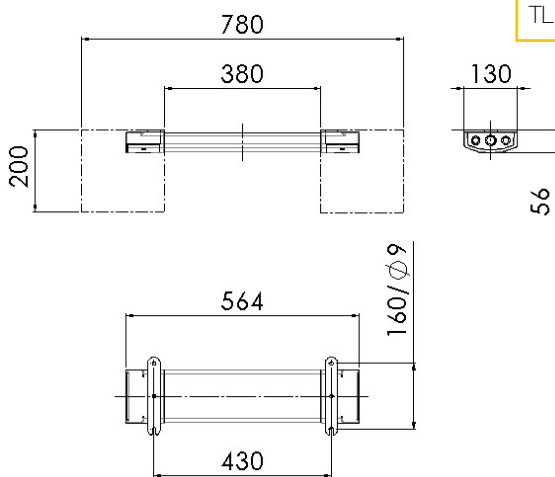


TL Vario M

Type: Bolt kit 8 mm



Type: LP160



TL Vario M

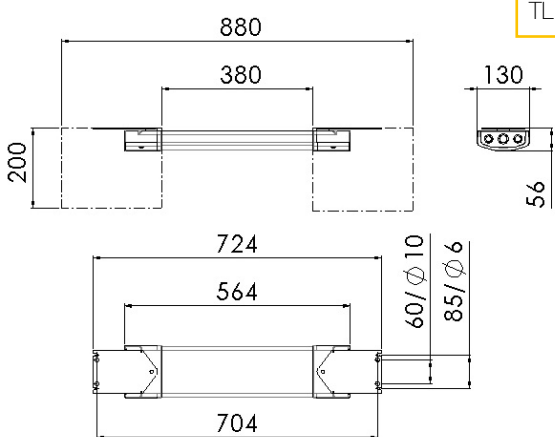
Type: LP160



Type: LP200



Type: LP GL



TL Vario M

Type: LP GL

