

PART NO.

TL Vario M

5145000500-xxx

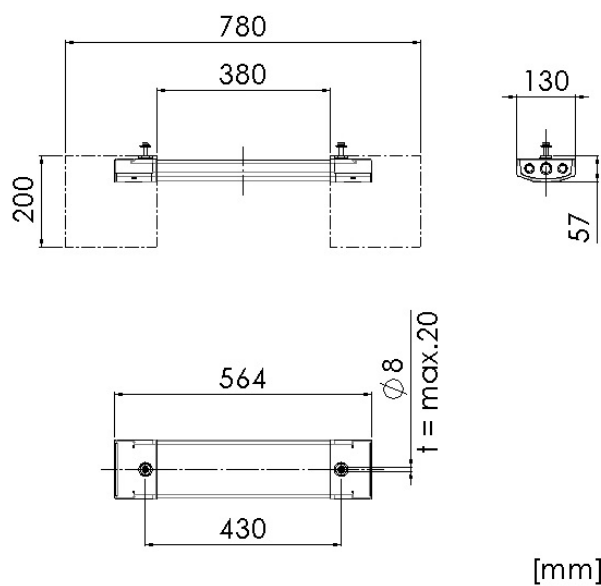
EXTRAS

- > Battery backup unit
- > Customized mounting brackets
- > Shock proof execution
- > Additional red or green light
- > Through wiring
- > Different cable glands
- > Different supply voltages

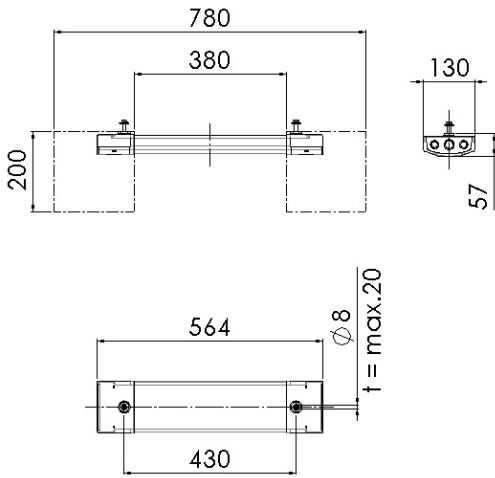


MULTIPURPOSE WATERTIGHT LUMINAIRE FOR ENGINE ROOMS, WORK SHOPS, STORES, PASSAGE WAYS AND OUTDOOR AREAS

<b>Design</b>	According to rules of maritime classification societies and relevant standards
<b>Housing/cover</b>	Opal polycarbonate, impact-proof, UV-resistant
<b>Mounting</b>	Different systems available, see next page
<b>Cable entry</b>	Max. 4 cable glands M20, max. 2 cable glands M25
<b>Protection class</b>	IP66/67
<b>Weight</b>	1.9 kg
<b>Light source</b>	Linear LP LED modules
<b>Wattage</b>	Max. 20 W
<b>CCT (color)</b>	4,000 K or 3,000 K
<b>Luminous flux</b>	2,200 lm
<b>CRI</b>	≥ 80
<b>Voltage</b>	220–240 V AC
<b>Frequency</b>	50–60 Hz



**Type: Bolt kit 8 mm**

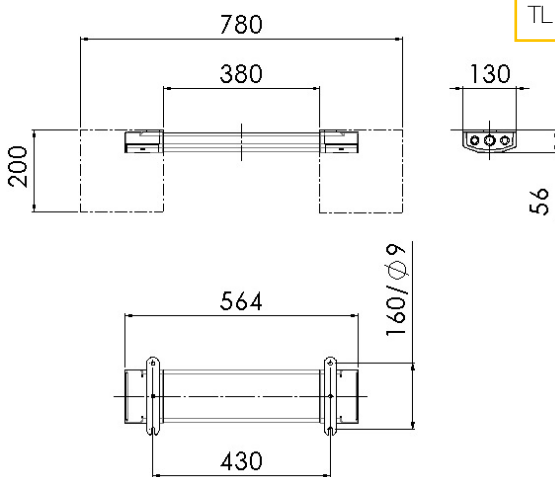


TL Vario M

Type: Bolt kit 8 mm



**Type: LP160**

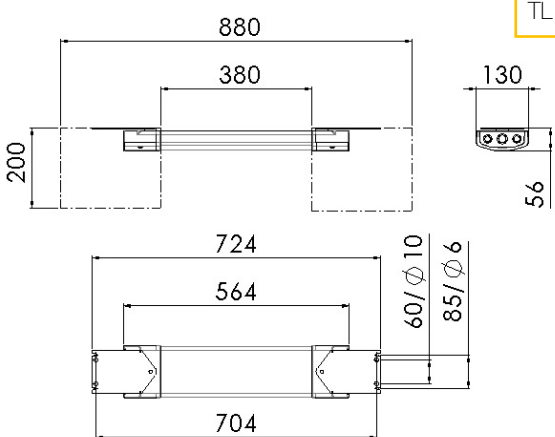


TL Vario M

Type: LP160



**Type: LP GL**



TL Vario M

Type: LP200



Type: LP GL

