

PART NO.

TL53L 5105011800-002

SPARE PARTS

PART NO.

Clear tube TL53L 7112038200  
 Fixing clamp 7501000401

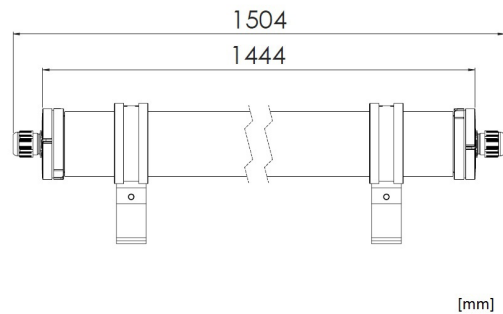
EXTRAS

- > 24 V DC execution
- > 120 V AC execution
- > Different lengths



PRESSURE WATERTIGHT LUMINAIRE FOR OPEN DECKS AND DECK RAILS, ABLE TO RESIST HEAVY SEAS

<b>Design</b>	According to rules of maritime classification societies and relevant standards
<b>Housing/cover</b>	Clear polycarbonate, impact-proof, UV-resistant
<b>Mounting</b>	2 stainless steel fixing clamps (not included)
<b>Cable entry</b>	2 cable glands M20, PA 6
<b>Protection class</b>	IP68
<b>Weight</b>	2.2 kg
<b>Light source</b>	Linear LP LED module
<b>Wattage</b>	Max. 18 W
<b>CCT (color)</b>	4,000 K
<b>Luminous flux</b>	2,400 lm
<b>CRI</b>	≥ 80
<b>Voltage</b>	220–240 V AC
<b>Frequency</b>	50–60 Hz



[mm]

fixing clamp

