



RECESSED MOUNTED CEILING LUMINAIRE
FOR CABINS, DINING ROOMS AND
ACCOMMODATION AREAS

Design	According to rules of maritime classification societies and relevant standards
Housing	Galvanized steel, powder coated white (RAL9016)
Trim ring	Steel, powder coated white (RAL9016)
Diffuser	Opal polycarbonate, impact-proof
Mounting	8 mounting holes, Ø 4 mm
Cable entry	1 inlet for cables max. Ø 13 mm
Protection class	IP20 / IP44 in conjunction with ceiling
Weight	0.9 kg
Light source	LED (lamp not included)
Lamp base	E27
Wattage	1× max. 60 W
Voltage	110/240 V AC or 24 V DC
Frequency	50–60 Hz or 0 Hz

PART NO.

DE02 5111001600-001

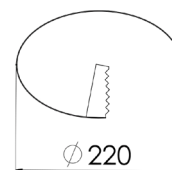
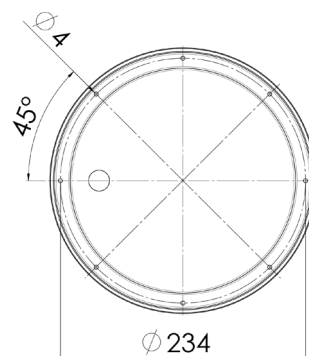
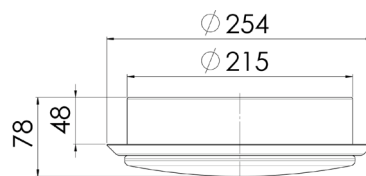
SPARE PARTS

PART NO.

Trim ring RAL9016 7512000400
Diffuser 7112007500

EXTRAS

- > B0-execution
- > Different cable entries
- > Different wattages



[mm]

