



LED DOWNLIGHT WITH CHANGEABLE COVER RING, FOR CABINS, ACCOMMODATION AND PUBLIC AREAS

Design	According to rules of maritime classification societies and relevant standards
Housing	Galvanized steel, powder coated white (RAL9016)
Decorative ring	RAL9016, chrome or steel brushed (has to be ordered separately)
Mounting	Max. 6 mounting holes, Ø 4.5 mm
Connection type	Connection cable with Wago 3-pole plug
Protection class	IP20 / IP55 with lens
Weight	DL63S IP55: 0.9 kg DL63M IP55: 1.1 kg DL63L IP55: 1.2 kg
Light source	LED module
Wattage	DL63S IP55: max. 5 W DL63M IP55: max. 10 W DL63L IP55: max. 20 W
CCT (color)	3,000 K
Luminous flux	DL63S IP55: 500 lm (with satined glass) DL63M IP55: 1,000 lm (with satined glass) DL63L IP55: 2,000 lm (with satined glass)
CRI	≥ 80
Voltage	220–240 V AC
Frequency	50–60 Hz

PART NO.

DL63S IP55	5503003100-xxx
DL63M IP55	5503003200-xxx
DL63L IP55	5503003300-xxx
Ring, Stainless steel / brushed / satin lens	5531003600-001
Ring, Stainless steel / RAL9010 / satin lens	5531003600-008

SPARE PARTS

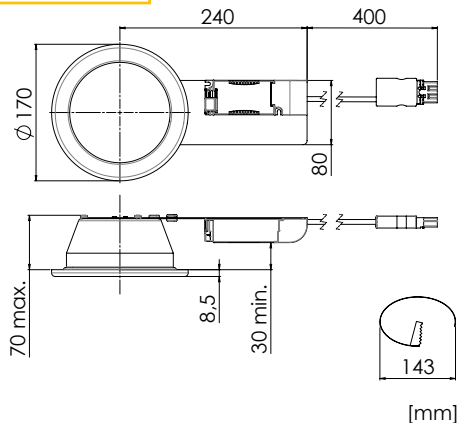
PART NO.

Female connector Wago	7124001800
-----------------------	------------

EXTRAS

- > 120 V AC execution
- > Different connectors
- > Different color temperatures
- > Dimmable
- > Emergency battery back-up

DL63S IP55



DL63M / DL63L IP55

