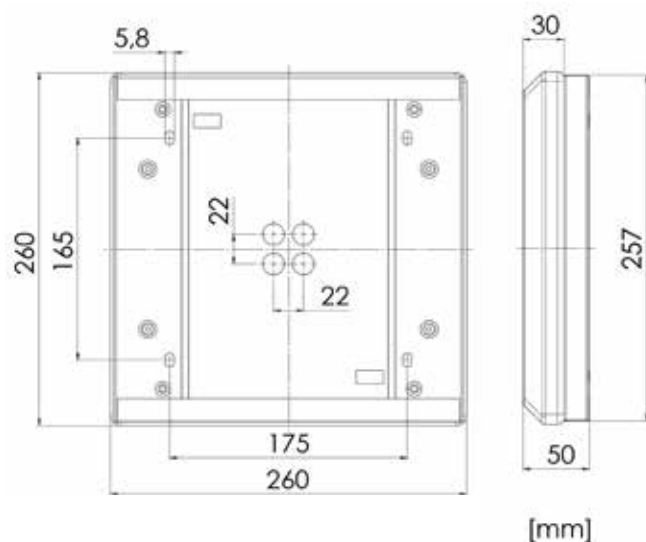




SURFACE MOUNTED CEILING LUMINAIRE FOR
PASSAGE WAYS, CABINS, ACCOMODATION
AND PUBLIC AREAS

Design	According to rules of maritime classification societies and relevant standards
Housing	Galvanized steel, powder coated white (RAL9016)
Diffuser	Opal polycarbonate, impact-proof
Mounting	4 mounting holes Ø 5.8 mm
Cable entry	4 inlets for cables max. Ø 11 mm
Protection class	IP43
Voltage	220-240 VAC
Frequency	50-60 Hz



LED SOLUTION

DA16FXS	511200XXXX-xxx
Light source	Linear LP LED modules
Wattage	Max. 8 W
CCT (color)	3,000 K or 4,000 K
CRI	≥ 80
Weight	1.5 kg

FLUORESCENT SOLUTION

DA16F	5112002800-009
Light source	Compact fluorescent lamp (not included)
Wattage	2x 11 W
Lamp base	2G7
Weight	1.7 kg

SPARE PARTS

PART NO.

Cover	7112004700
Lamp holder 2G7	7111023400

★ EXTRAS

- > 120 V AC execution
- > 24 V DC execution
- > Dimmable
- > Different color temperatures