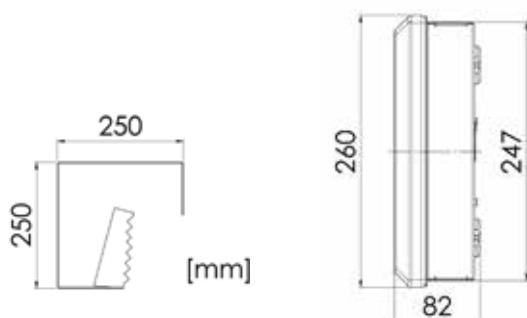


RECESSED MOUNTED CEILING LUMINAIRE
FOR PASSAGE WAYS, DINING ROOMS AND
ACCOMMODATION AREAS

Design	According to rules of maritime classification societies and relevant standards
Housing	Galvanized steel, powder coated white (RAL9016)
Diffuser	Opal polycarbonate, impact-proof
Mounting	4 mounting holes, Ø 5.5 mm
Cable entry	4 inlets for cables max. Ø 11 mm
Protection class	IP30 / IP44 in conjunction with ceiling
Voltage	220-240 V AC
Frequency	50-60 Hz



LED SOLUTION

DE16XS	5111011100-002
Light source	LED
Wattage	Max. 8 W
CCT (color)	4,000 K
CRI	≥ 80
Weight	1.1 kg

FLUORESCENT SOLUTION

DE16XS	5111001300-019
Light source	Compact fluorescent lamp (not included)
Wattage	2x 9 W
Lamp base	2G7
Weight	2.3 kg

SPARE PARTS

PART NO.

Diffuser	7112004700
Lamp holder 2G7	7111023400

★ EXTRAS

- > 120 V AC execution
- > B0-execution
- > Different cable entries

