

DL88



ADJUSTABLE DOWNLIGHT,
RECESSED MOUNTING, INDOOR USE

| | |
|-----------------------------|---|
| Design | According to rules of maritime classification societies and relevant standards |
| Housing | Aluminium |
| Decorative ring | See color information |
| Mounting | 2 spring clips for ceilings max. 20 mm |
| Connection type | Ensto 2-pole plug |
| Protection class | IP20 |
| Weight | 0.1 kg |
| Light source | MR11 halogen or LED lamp (not included) |
| Wattage | Max. 20 W |
| Lamp base | GU4 |
| Voltage | 12 V |
| Electrical execution | Driver or transformer required (not included) 5806004500-001 (Wago 3-pole plug) or 5806004500-002 (Wieland 3-pole plug) |

PART NO.

DL88 5301020400-xxx

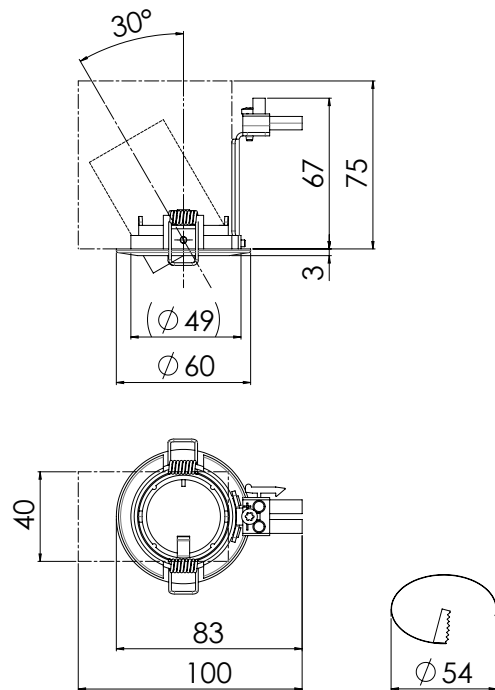
COLORS

PART NO.

| | |
|---------------|----------------|
| White | 5301020400-001 |
| Chrome | 5301020400-002 |
| Steel brushed | 5301020400-003 |
| Gold | 5301020400-004 |
| Black | 5301020400-005 |

EXTRAS

- > Different connectors
- > Different transformers



[mm]