

ADJUSTABLE LED DOWNLIGHT

DL90A



5



ADJUSTABLE DOWNLIGHT,
RECESSED MOUNTING, INDOOR USE

Design	According to rules of maritime classification societies and relevant standards
Housing	Aluminium
Decorative ring	See color information
Mounting	2 spring clips for ceilings max. 20 mm
Connection type	Connection cable with Ensto 2-pole plug
Protection class	IP20
Weight	0.1 kg / 0.3 kg (POT)
Light source	LED or halogen (not included)
Wattage	Max. 35 W
Lamp base	GU5.3
Voltage	12 V
Electrical execution	Driver or transformer required (not included) 5806004500-001 (Wago 3-pole plug) or 5806004500-002 (Wieland 3-pole plug)

PART NO.

DL90A	5301020300-xxx
DL90A POT	5301020500-xxx

COLORS DL90A

PART NO.

White	5301020300-001
Chrome	5301020300-002
Steel brushed	5301020300-003
Gold	5301020300-004
Black	5301020300-005

COLORS DL90A POT

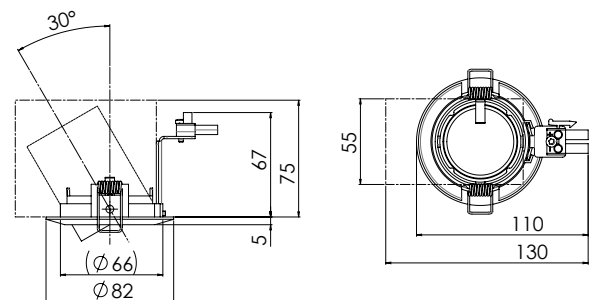
PART NO.

White	5301020500-001
Chrome	5301020500-002
Steel brushed	5301020500-003
Gold	5301020500-004
Black	5301020500-005

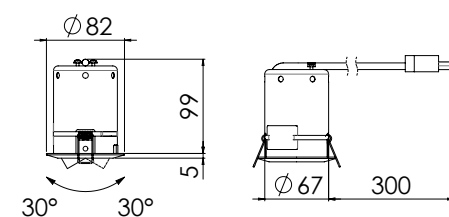
★ EXTRAS

- > Different connectors
- > Different transformers
- > GU10 execution

DL90A



DL90A POT



[mm]

