

SL97



Fullmoon

Halfmoon

Grid

DECORATIVE, STAINLESS STEEL,
WATERTIGHT WALL LIGHT FOR OPEN DECKS

Design	According to rules of maritime classification societies and relevant standards
Housing	Stainless steel, powder coated white (RAL9016)
Cover	Opal polycarbonate, impact proof, UV-resistant
Mounting	4 mounting holes, \varnothing 8.7 mm
Cable entry	2x grommets
Protection class	IP67
Weight	1.7 kg
Voltage	220-240 V AC
Frequency	50/60 Hz

LED SOLUTION

SL97 with fullmoon	5127011100-007
SL97 with halfmoon	5127011100-008
Light source	Linear LP LED module
Wattage	Max. 6 W
Luminous flux	Fullmoon 450 lm Halfmoon 300 lm
CCT (color)	4,000 K
CRI	\geq 80

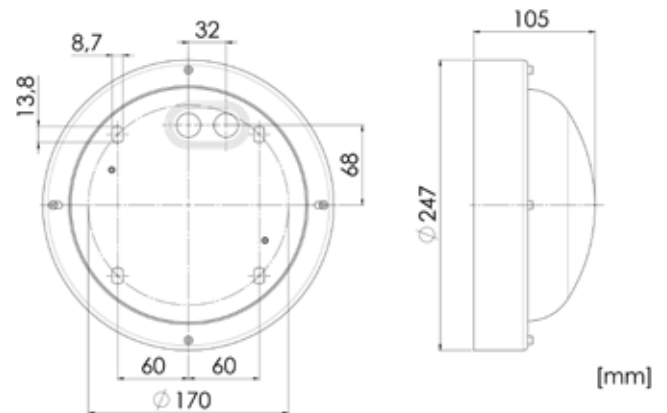
FLUORESCENT SOLUTION

SL97 with fullmoon	5127000200-049
SL97 with halfmoon	5127000200-045
SL97 with grid	5127000200-047
Lamp base	G24q-2
Light source	Compact fluorescent lamp (not included)
Wattage	1x 18 W

SPARE PARTS

PART NO.

Fullmoon cover	7112006200
Halfmoon cover	7112007300
Grid	7112015800
Lamp holder G24q-2	7111016200



[mm]