



ADJUSTABLE LED READING LIGHT WITH SWITCH  
FOR CABINS AND ACCOMODATION AREAS

<b>Design</b>	According to rules of maritime classification societies and relevant standards
<b>Housing</b>	Stainless steel, brushed
<b>Mounting</b>	4 mounting holes, $\varnothing$ 4.5 mm
<b>Switch</b>	1-pole switch
<b>Cable entry</b>	$\varnothing$ 42 mm
<b>Protection class</b>	IP20
<b>Weight</b>	0.5 kg
<b>Light source</b>	LED
<b>CCT (color)</b>	2,700 K
<b>Wattage</b>	Max. 1 W
<b>Voltage</b>	120-240 V AC
<b>Frequency</b>	50-60 Hz

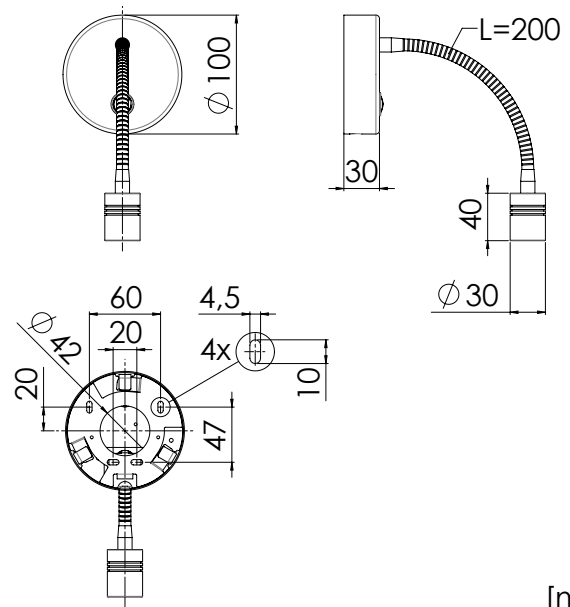
#### PART NO.

WL30

5127012100-001

#### EXTRAS

- > 24 V DC execution
- > Different color temperatures



[mm]